

## VARIODYN® D1 Mains Switching Unit MSU

- Module for protecting and switching off the main power supply
- Three 18 A excess current switches with control contacts and control indicator lights
- IEC and Ethernet connectors for servicing via a PC
- Three connections for auxiliary changeover contact per excess current switch
- Up to four devices can be connected to each excess current switch
- EN 54-16 approved, CPD number: 0786-CPD-20997
- VdS approved, VdS number: G210122



### Application

The Mains Switching Unit MSU serves to protect the power supply of all VARIODYN® D1 components which are installed in a rack. It also provides a plug to connect a laptop for local and network-wide servicing purposes.

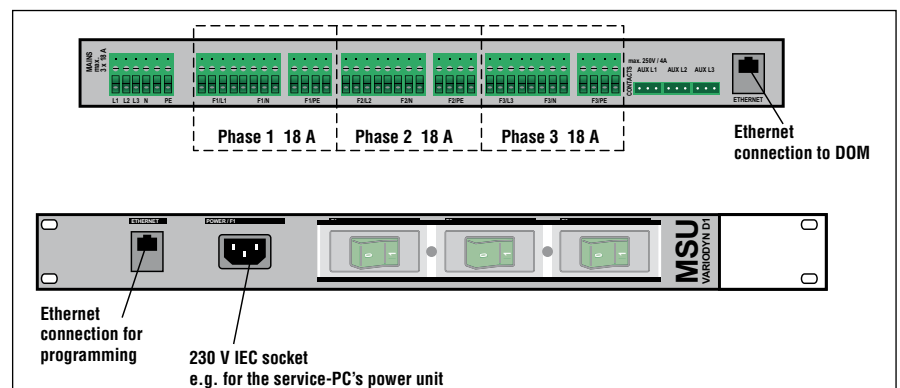
### Description

Each of the up to three phases can be loaded with max. 18 A. The excess current switch automatically releases the excess current, but can also be used to manually switch the voltage supply. The operating conditions are indicated by green operating lights. A transparent keyboard cover protects all three keys from being unintentionally pressed. The switch setting can be evaluated via auxiliary contacts.

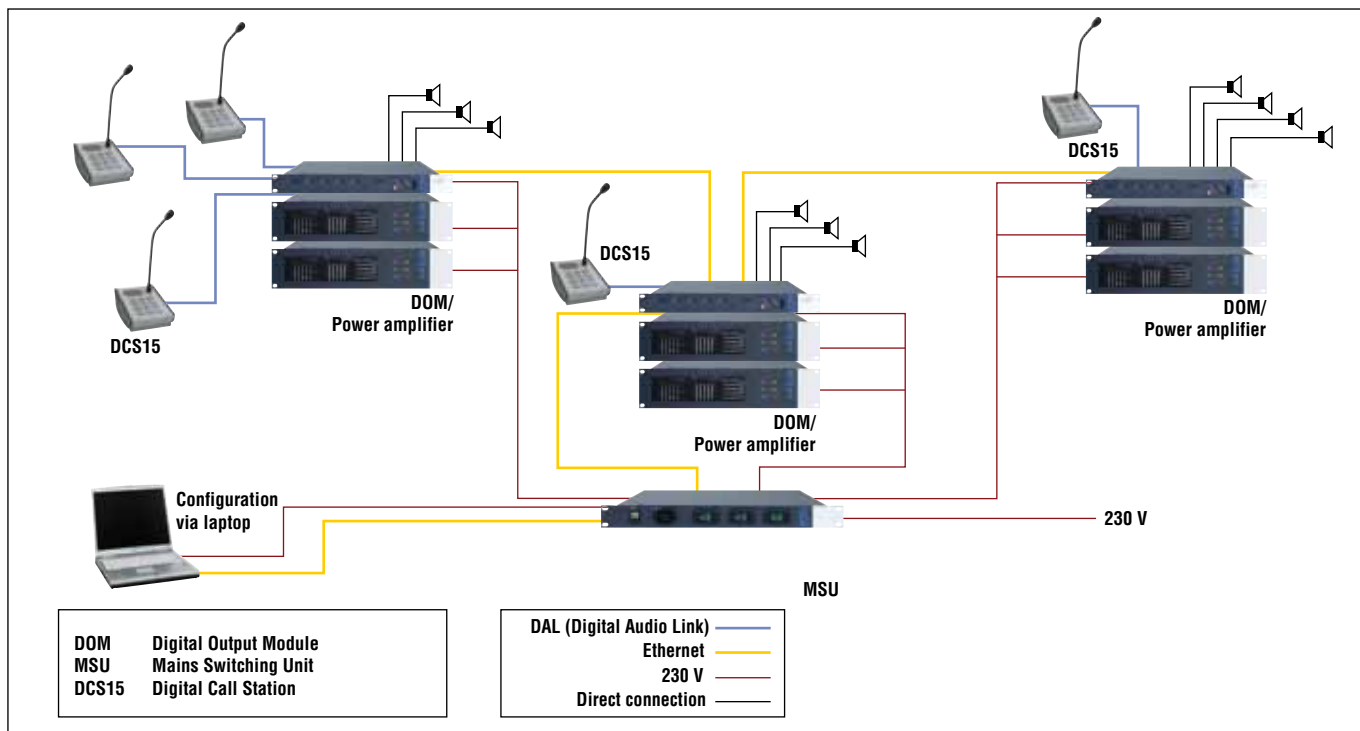
A frontal 230 V IEC socket and an RJ45 socket are available for servicing via a PC.

### Connections and indicators

- Three excess current switches (18 A) with lights (one per phase)
- Three connections for auxiliary changeover contacts per excess current switch
- RJ45 socket for Ethernet connection
- 230 V IEC socket connected with L1, for example for a service PC (for programming required when servicing)



Rear and Front View MSU



System Overview VARIODYN® D1 with MSU

## Technical data

### Thermal protection

Current rating	18 A
Operating life	10,000 switch cycles
Shutdown	1-pin

### Auxiliary contacts

Type	changeover contact
Contact rating AC	250 V, max. 4 A
Contact rating DC	0 ... 24 V max. 4 A
Current rating	60 V, max. 1 A
	110 V, max. 0.5 A
	220 V, max. 0.25 A
Ambient temperature	-5 °C ... +55 °C
Relative humidity	15 % ... 90 %
Weight	approx. 4.2 kg
Dimensions (W x H x D)	483 x 44 x 345 mm / 1 HU, 19"

### Order information

### Part No.

Mains Switching Unit MSU	583371.21
--------------------------	-----------

Additional ordering information can be found in the "Voice Alarm Systems" product group catalog.